

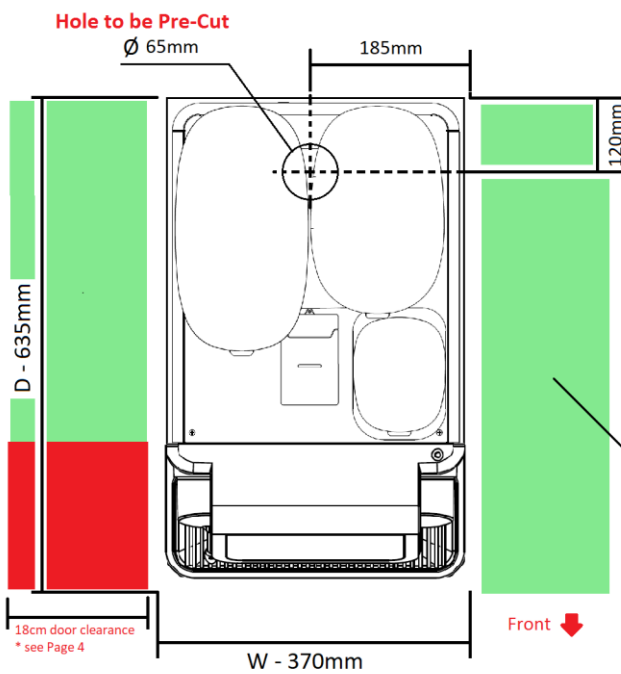
INSTALLATION REQUIREMENTS – FAEMA X20



Your espresso machine is an expensive asset - To minimise the risk of problems with your machine we respectfully request that all other trades, especially those which generate dust have completed their activities prior to our attendance. Please do not hesitate to contact us if you have any questions.

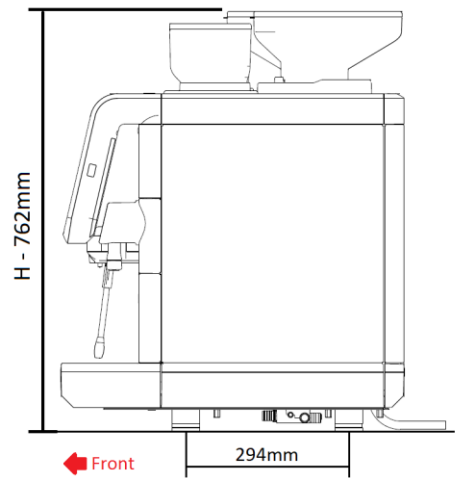
Aborted Installation Charges - If for any reason the site is not ready to the requirements below when our team arrive to install equipment, a £300 + VAT charge will apply.

- ✓ Allowance of sufficient counter space for machine dimensions and for maintenance work to be completed (see below).
- ✓ Position the machine on a solid surface with suitable weight loading (see below). (Recommended counter height: 850-900mm)
- ✓ A hole of 65mm diameter **MUST** be pre-cut (our engineers do not carry drills) in the counter top to allow for cables and pipe work (see below).



Weight: 71kg

Recommended 200mm easily accessible either side of machine for maintenance work. Anything placed here should be simple to move.



1. Espresso Machine
2. Suggested counter height (850-900mm)
3. Incoming cold water supply fitted with a 15mm to 3/4 inch BSPM service valve
4. Brita 600 Water Filter
5. Incoming filtered water supply
6. Waste water Pipe
7. 40mm trapped waste upstand
8. Espresso machine power supply cable
9. Espresso machine power supply with commando socket and plug (supplied by customer)

Unsuitable power supplies are the main cause of aborted installations.

Please read below carefully and discuss with a qualified electrician.

- ✓ A commando socket and plug with sufficient current rating for the machine (see table below)
- ✓ The power supply must have a local isolation point, which is readily accessible and clearly labelled.
- ✓ Both of the above must be within one metre of machine position.

Site Phasing and Current Requirements

Faema X20 is only available as *single phase* and cannot be converted. Should you have a *three phase* power supply, please let us know ASAP.

FAEMA X20		
POWER	SINGLE PHASE (230V) Recommended Commando Size	SINGLE PHASE (230V) Recommended MCB
3800W	16 Amp	B16

We strongly recommend installing a commando socket with matching plug for ease of connection/disconnection when required.

It is your responsibility to provide both socket and plug.

If a plug is required at the time of install then a charge will apply.

There are a number of benefits:

- Since a plug can be wired outside any enclosure or cupboard, this allows the engineer better vision.
- It ensures that whatever site we attend, we know exactly what we will see and therefore be able to install first time, in a timely manner with no complications for our customer.
- Isolation of the machine is quicker without relying on the available staff to know where the point of isolation is.

IF IT IS NOT POSSIBLE FOR YOU TO PROVIDE A COMMANDO SOCKET AND PLUG, PLEASE CONTACT MULMAR TO DISCUSS FURTHER.



- ✓ A potable water supply must be within one metre of the machine and can be readily isolated if required.
- ✓ Incoming water pressure must be between 2 and 4 bar at the point of supply.
- ✓ The site pipe work must be terminated with a 15mm to ¾ inch male BSP service valve (see below).
- ✓ Allow space for your chosen water filter (*see sizing below for Mulmar supplied filters*). Space must be made available to allow access for cartridge replacements. The water filter must be within one metre of the machine.



Water Filter Dimensions

Brita Purity 600 - 247mm x 247mm x 519mm (H)



15mm to ¾ inch male BSP service valve

- ✓ A minimum 40mm trapped waste with up stand must be located within one metre and below machine level with adequate space allowed for espresso machine waste to be fitted.



The drain hose must maintain a constant downward slope over the entire length and must not be allowed to kink (see diagram left). Without this, waste coffee grounds can build up and cause blockages requiring a **chargeable** engineer call out.



- ✓ A route must be planned to manoeuvre the machine from our van, through the site/doorways to the machines final position, taking into account the machine's weight and the size of the trolley.

The machine will be moved into location on a trolley measuring: **1200mm (L) x 620mm (W)** (see right)

The machine weight when not filled with water is: **79kg**

When planning the route to the install location

- Avoid stairs and sharp turns in corridors
- Avoid narrow doorways

Ideally

- Enter via a designated '**goods in**' area
- Use a goods lift (if above ground floor)



Please let us know ahead of the installation: access times, parking restrictions and anything else required in order for us to gain access to site.

e.g.

- **Contact Numbers**
- **Staff Names**
- **Vehicle Registration**
- **Inductions**
- **Permits**
- **RAMS**
- **PPE**



Images or videos may be used as a screensaver on the X20. They must be supplied in the following format:

Resolution: 800 x 480 (*will be re-sized if not*)

Images: JPG, PNG, BMP (32 Bit) (*up to max of 50MB*)

Videos: MP4, Video Codec - H.264, Audio Codec – AAC (*up to max of 200MB*)

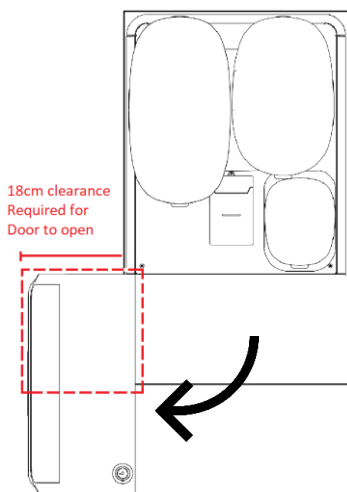
This must be supplied on a USB stick on the day of installation

For all models with Milk Pump Systems, an external milk fridge will be required.

This must be placed within one metre of the machine in order for pipework to reach.

Fridges can be placed next to/beneath the machine or undercounter. (see diagram)

Please contact Mulmar for information, dimensions and pricing on the milk fridges we supply.



The X20 requires a clearance of 18cm to the left of the machine in order for the door to open for setup/servicing.



Pre-drilled 65mm Hole in counter with services below

Adequate space for maintenance

Commando Socket w/local isolator

Waste Pipe

Water Supply

Commando Plug

Adequate space for water filter



Please contact Mulmar to discuss these requirements where needed:

Telephone: +44 (0)845 688 5282 Email: sales@mulmar.com

MULMAR FOODSERVICE SOLUTIONS - Inspiration House, 152 Great North Road, Hatfield, Hertfordshire, AL9 5JN