

INSTALLATION REQUIREMENTS – FAEMA PRESIDENT ESPRESSO MACHINE

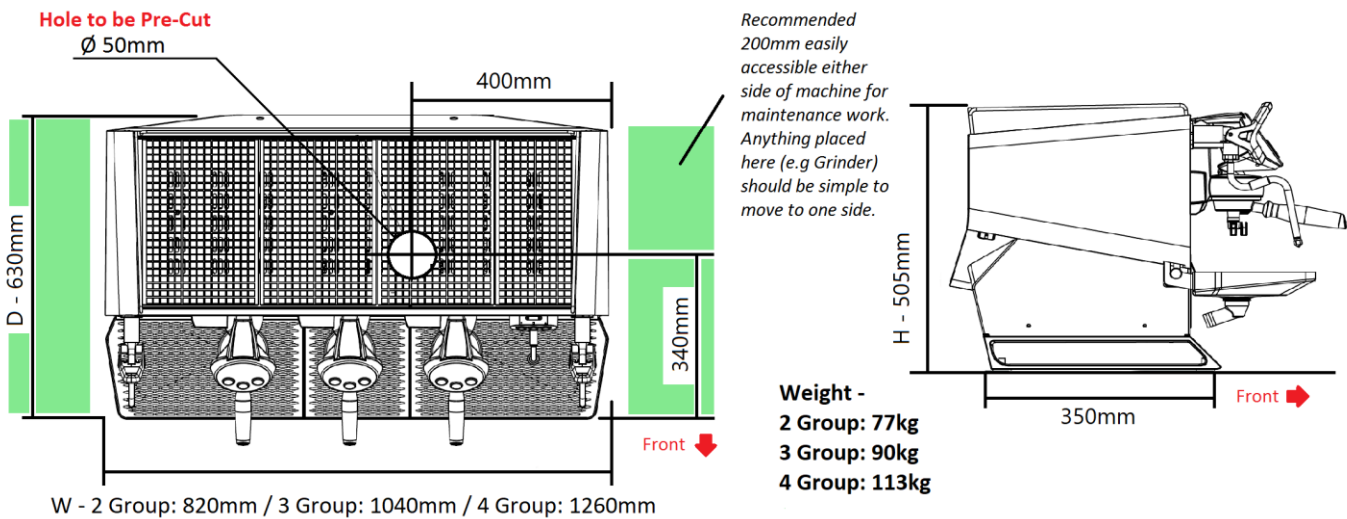


Your espresso machine is an expensive asset - To minimise the risk of problems with your machine we respectfully request that all other trades, especially those which generate dust have completed their activities prior to our attendance. Please do not hesitate to contact us if you have any questions.

Aborted Installation Charges - If for any reason the site is not ready to the requirements below when our team arrive to install equipment, a £300 + VAT charge will apply.

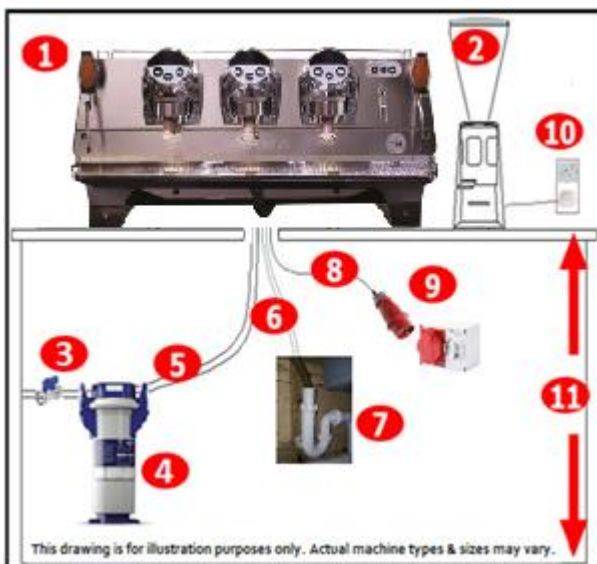
- ✓ Allowance of sufficient counter space for machine dimensions and for maintenance work to be completed (see below).
- ✓ Position the machine on a solid surface with suitable weight loading (see below). (Recommended counter height: 850-900mm)
- ✓ A hole of 50mm diameter **MUST** be pre-cut (our engineers do not carry drills) in the counter top to allow for cables and pipe work (see below).

Counter Preparation



Hole Location - Care should be taken when considering the position of the hole and you should avoid any obstructions that may be in place below the counter. Where not possible, holes should be made in the cupboards below the counter to allow full access to the site services which must be within 1 metre of the machine position.

Optimum Site Layout



1. Espresso Machine
2. Coffee Grinder
3. Incoming cold water supply fitted with a 15mm to ¾ inch M BSP service valve
4. Appropriate in-line water filter
5. Incoming filtered water supply
6. Waste water Pipe
7. 40mm trapped waste upstand
8. Espresso machine power supply cable
9. Espresso machine power supply with commando socket and plug
10. Coffee grinder cable and 13amp socket
11. Suggested counter height (850-900mm)

PLEASE ENSURE YOU HAVE ALLOWED SUFFICIENT SPACE FOR THE COFFEE GRINDER ON THE COUNTER TOP

Unsuitable power supplies are the main cause of aborted installations.

Please read below carefully and discuss with a qualified electrician.

- ✓ A commando socket and plug with sufficient current rating (see table below)
- ✓ The power supply has a local isolation point, is readily accessible and clearly labelled.
- ✓ Both of the above are within one metre of machine position.

Site Phasing and Current Requirements

Our Faema range can be converted to single phase or three phase prior to installation. It is important that you communicate the power supply available (*single* or *three phase*) and that it has a sufficient current rating.

FAEMA President Espresso Machine					
GROUPS	POWER	SINGLE PHASE (230V) Recommended Commando Size	SINGLE PHASE (230V) Recommended MCB	THREE PHASE (400V) Recommended Commando Size	THREE PHASE (400V) Recommended MCB
2 GROUP	7400W	32 Amp	B32	16 Amp	B16
3 GROUP	8800W	Contact Mulmar	Contact Mulmar	16 Amp	B16
4 GROUP	8800W	Contact Mulmar	Contact Mulmar	16 Amp	B16

We strongly recommend installing a commando socket with matching plug for ease of connection/disconnection when required. **It is your responsibility to provide both socket and plug. If a plug is required at the time of install then a charge will apply.**

There are a number of benefits:

- Since a plug can be wired outside any enclosure or cupboard, this allows the engineer better vision.
- It ensures that whatever site we attend, we know exactly what we will see and therefore be able to install first time, in a timely manner with no complications for our customer.
- Isolation of the machine is quicker without relying on the available staff to know where the point of isolation is.

IF IT IS NOT POSSIBLE FOR YOU TO PROVIDE A COMMANDO SOCKET AND PLUG, PLEASE CONTACT MULMAR TO DISCUSS FURTHER.



Note: Power supplies for an existing espresso machine may not be suitable for the new equipment. Please check with a qualified electrician if unsure.

Grinders and other accessories

We recommend a dedicated 13 amp socket is available for all additional devices and should be located within 1 metre of the device.

- ✓ A potable water supply must be within one metre of the machine and can be readily isolated if required.
- ✓ Incoming water pressure must be between 2 and 4 bar at the point of supply.
- ✓ The site pipe work must be terminated with a 15mm to ¾ inch male BSP service valve (see below).
- ✓ Space allowed for your chosen water filter (see sizing below for *Mulmar supplied filters*). Space must be made available to allow access for cartridge replacements. The water filter must be within one metre of the machine.



Water Filter Dimensions

Brita Purity 600 - 247mm x 247mm x 519mm (H)

Brita Purity 1200 - 288mm x 288mm x 545mm (H)



15mm to ¾ inch male BSP service valve

- ✓ A minimum 40mm trapped waste with up stand must be located within one metre and below machine level with adequate space allowed for espresso machine waste to be fitted.



The drain hose must maintain a constant downward slope over the entire length and must not be allowed to kink (see diagram left). Without this, waste coffee grounds can build up and cause blockages requiring a **chargeable** engineer call out.



- ✓ A route must be planned to manoeuvre the machine from our van, through the site/doorways to the machines final position, taking into account the machine's weight and the size of the trolley.

The machine will be moved into location on a trolley measuring:

1200mm (L) x 620mm (W) (see right)

The machine weights when not filled with water are:

2 Group - 77kg **3 Group - 95kg**
4 Group - 113kg

When planning the route to the install location

- Avoid stairs and sharp turns in corridors
- Avoid narrow doorways

Ideally

- Enter via a designated '**goods in**' area
- Use a goods lift (if above ground floor)



Please let us know ahead of the installation: access times, parking restrictions and anything else required in order for us to gain access to site.

e.g.

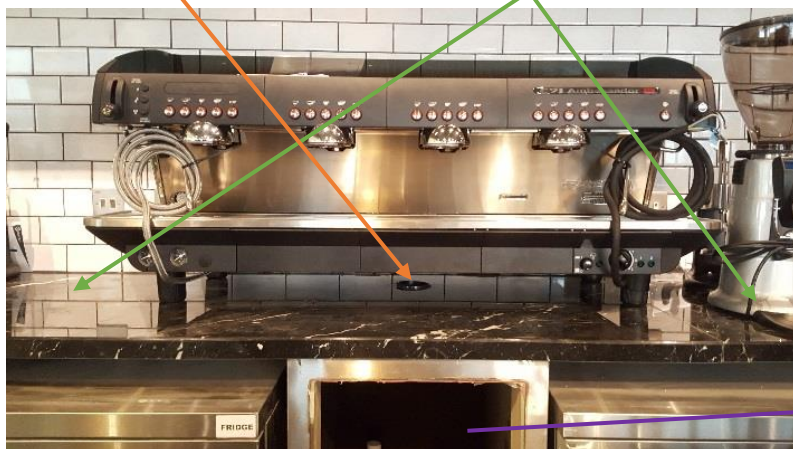
- **Staff Names**
- **Vehicle Registration**
- **Inductions**
- **Permits**
- **RAMS**
- **PPE**



Long portafilter spouts come as standard on the President, please let us know if these need to be replaced with short spouts during the Pre-Delivery Inspection. This reduces the height of the portafilter by 12mm.

Pre-drilled 50mm Hole in counter with services below

Adequate space for maintenance



Commando Socket w/local isolator

Waste Pipe

Water Supply

Commando Plug



Before installation please check with your chosen coffee supplier whether they will set up the espresso machine and grinder for you, to get the best out of their coffee (recommended).

Our engineers do not carry any coffee with them

If you wish for us to set up the machine and grinder - please ensure at the time of installation there is both the coffee you plan to use and cups available.



I have an existing machine, can they be swapped over?

Yes – However there is an additional charge for us to disconnect your existing machine. Please double check the power supply and space requirements for the existing machine are suitable for the new one as specified previously. Please send photos and provide the machine model if unsure. If you require the existing equipment to be uplifted please contact us prior to our visit.

Can my machine be put on either a single or three phase power supply?

Most of our equipment can be supplied either way, but we need to know ahead of time to either convert or even order three phase equipment in especially.

I do not have a commando socket and plug installed for the espresso machine, can you still install?

Yes – However we strongly recommend against it and you will need to contact Mulmar to provide us with details and photos for us to assess the suitability. We may send an engineer to assess if required.

What will happen if my site is not ready to Mulmar's requirements when an engineer attends?

Whilst our engineers always endeavour to install where possible, if they feel that the site is not suitable or will not be rectified in reasonable time then the installation will be aborted and a £300 + VAT charge will apply for us to then re-attend.

What times can installations be booked?

Our installations can be from 8.30AM until 16:30PM Monday to Friday. Installations outside these hours will incur an additional out of hours cost. Please inform us of site access times prior to our visit.

At what part of the project should I book the install?

Please book installation as close to opening as possible when all major work has been completed and no PPE/inductions are required. This is to prevent any damage to the machine or parts going missing if left with work still ongoing. We appreciate this is sometimes unavoidable so please contact Mulmar and we will make arrangements.

Please contact Mulmar to discuss these requirements where needed:

Telephone: +44 (0)845 688 5282 Email: sales@mulmar.com

MULMAR FOODSERVICE SOLUTIONS - Inspiration House, 152 Great North Road, Hatfield, Hertfordshire, AL9 5JN